

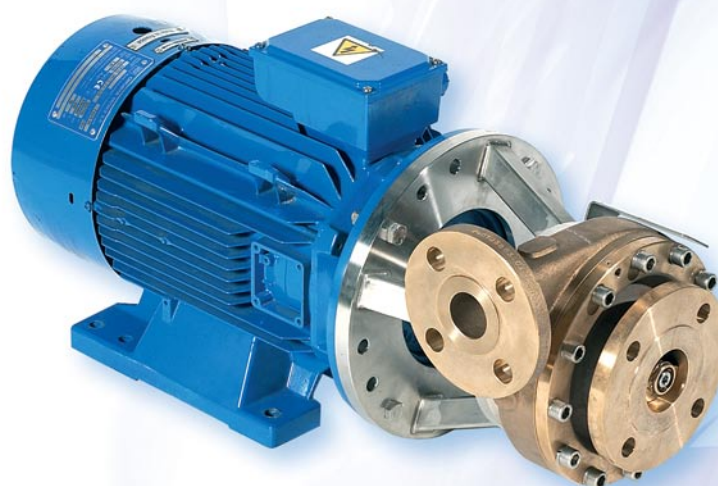
Transfer Pump GBSD

★ **DISTRIBUTION**
CRYOSTAR

Technical Index

★ Pump ID Meaning

GBSD (model)	155 or 185 (Impeller Ø in mm)	/	4.5 or 3 (Impeller tip width)
Applications	Road tankers		
Liquids pumped	LOX, LIN, LAr, LCO ₂ , LN ₂ O, LNG		
Drive type	Direct coupled		
Design pressure	Up to 50 bar / 725 PSI		



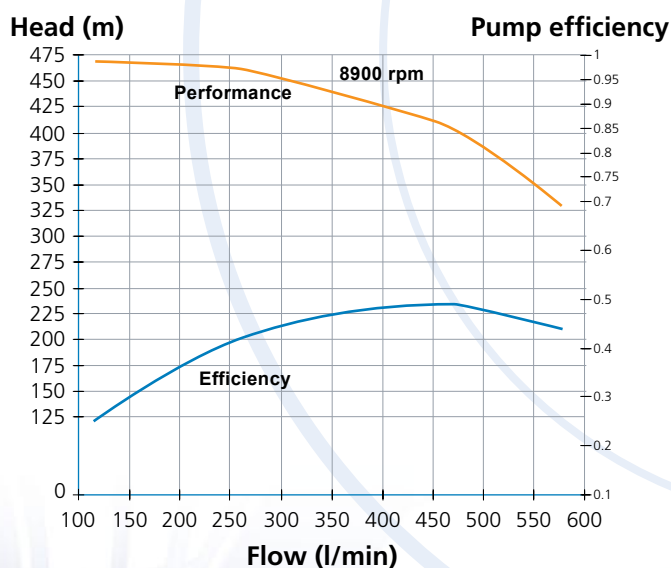
★ Test Procedure

Each pump manufactured by CRYO-STAR is mechanically and cryogenically tested prior to shipment in our state-of-the-art testing facility to ensure that performance meets customer specification. The precision of measuring devices provides essential results : differential head, flow rate, seal gas consumption, pump efficiency, NPSH, noise and vibration levels – all documented and submitted to the customer.

★ Quality

Designed in compliance with guidelines like IGC 11/82 norm

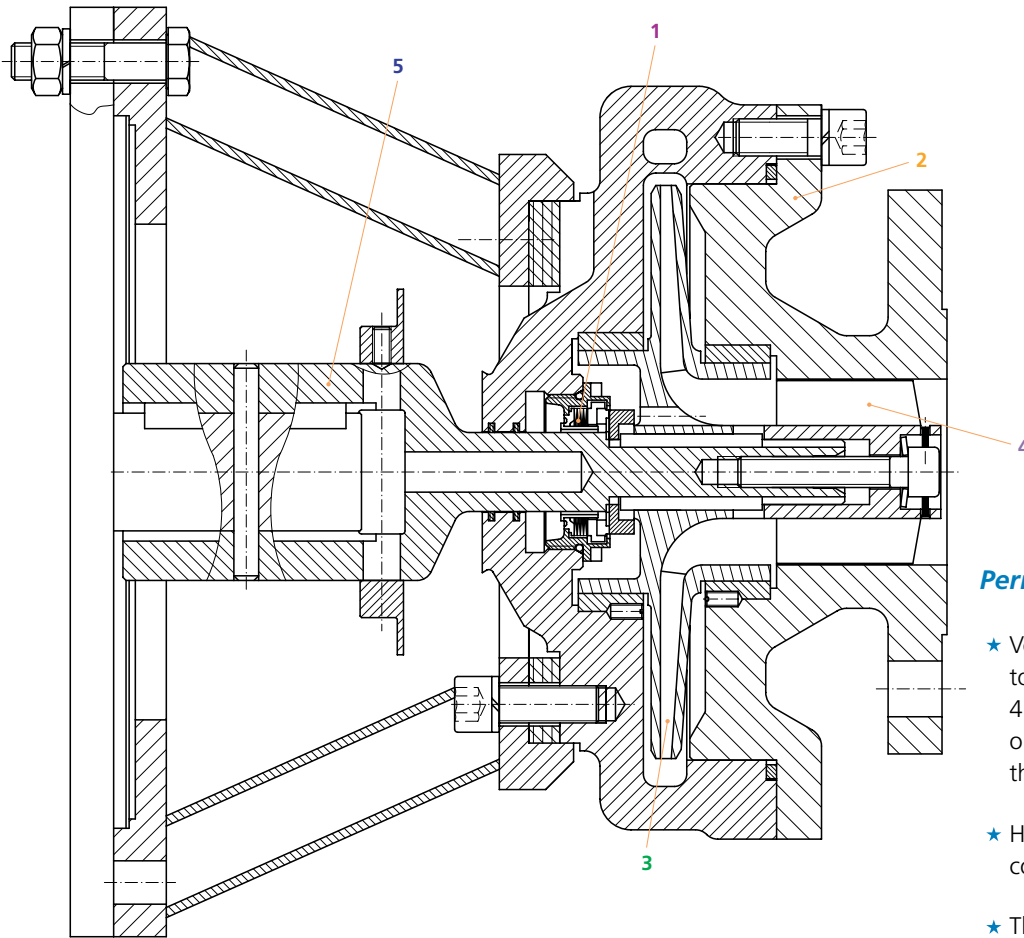
★ Performance





★ Features

- 1 CRYOSTAR composite mechanical seal (4 times longer life time than carbon seals)
 - ★ for CO₂ application : special CRYOSTAR high pressure mechanical seal
 - ★ for long life application : CRYOSTAR gas seal
- 2 Front opening of housing for an easier maintenance
- 3 High hydraulic efficiency closed impeller
- 4 Helical inducer allowing low required NPSH
- 5 Direct coupled pump -> no oil required
- 6 The speed of the pump can be adjusted through the variable speed motor
- 7 Low noise level during pump operation
- 8 Reduced dimensions and weight



Permacold barrier consisting of:

- ★ Volute separated from electrical motor by an open intermediate piece with 4 hollow arms. This intermediate piece only presents 4 contacts points for low thermal conductivity.
- ★ Hollow shaft in order to reduce thermal conductivity to minimum.
- ★ Thick insulation plate that provides low thermal conductivity.

★ Options

- ★ Complete package with electric control cabinet including Variable Frequency Drive with all safety devices

For more details please contact your local Cryostar representative



CRYOSTAR Automation	tel : +33 (0) 5 65 80 20 20	info@cryostar.com
CRYOSTAR Brazil	tel : +55 11 5092 5262	brazil@cryostar.com
CRYOSTAR China	tel : +86 571 8536 8331	china@cryostar.com
CRYOSTAR France	tel: +33 (0) 3 89 70 27 27	info@cryostar.com
CRYOSTAR Singapore	tel : +65 6276 7441	singapore@cryostar.com
CRYOSTAR UK	tel : +44 1709 702 777	uk@cryostar.com
CRYOSTAR USA East	tel : 1-800-483-1052	usa@cryostar.com
CRYOSTAR USA West	tel : +1 (562) 903-1290	usa@cryostar.com
CRYOSTAR USA - Houston Office	tel : +1 (713) 661-6000	usa.houston@cryostar.com



www.cryostar.com