



# SUBTRAN

★ **DISTRIBUTION**  
CRYOSTAR

## Technical Index

### ★ Pump ID Meaning

SUBTRAN 2 x 180 x 5400  
(model) (stages) (impeller diameter in mm) (speed in rpm)

Applications	Submerged pump for liquid transfer, LNG stations, micro-bulk delivery
Liquids pumped	LIN, LAR, LNG
Drive type	Direct submerged motor
Design pressure	20 bar / 290 PSI



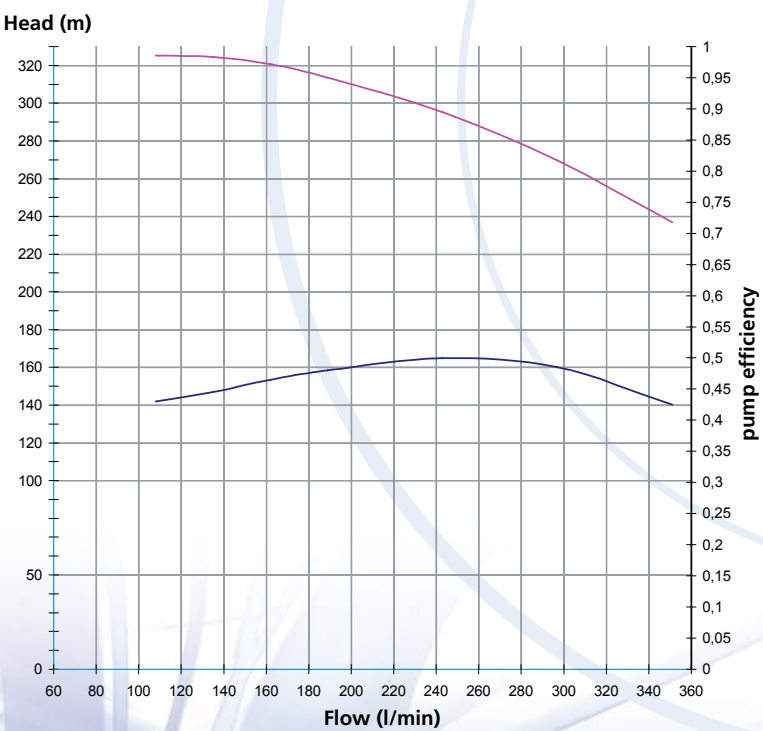
### ★ Test Procedure

Each pump manufactured by CRYO-STAR is mechanically and cryogenically tested prior to shipment in our state-of-the-art testing facility to ensure that performance meets customer specification. The precision of measuring devices provides essential results: differential head, flow rate, seal gas consumption, pump efficiency, NPSH, noise and vibration levels – all documented and submitted to the customer.

### ★ Quality

Designed in compliance with guidelines like IGC 11/82 norm

### ★ Performance

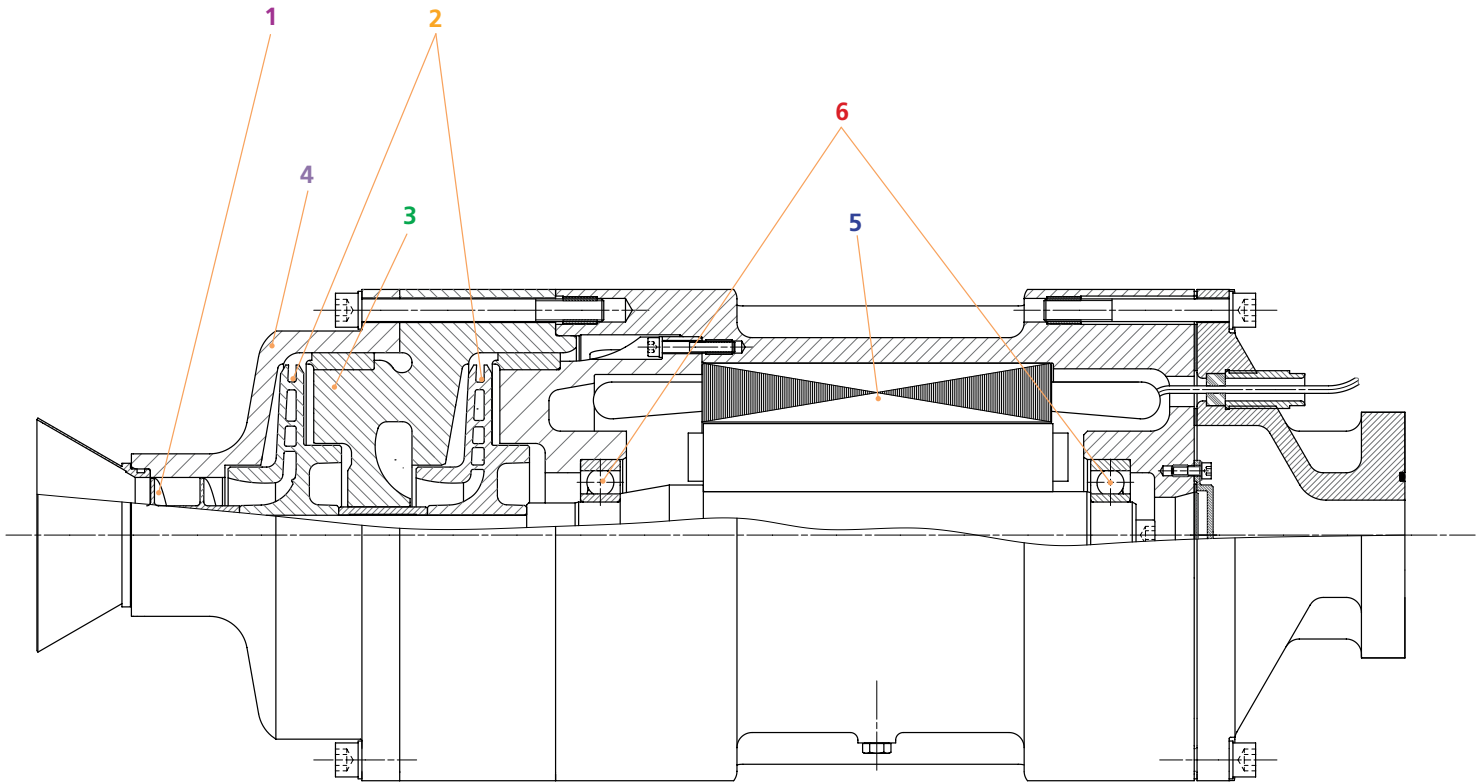




## ★ Features

- 1 Balanced and machined inducer, allowing lowest possible NPSH requirement, throughout the performance curve.
- 2 High efficiency closed impellers made from "lost wax" casting technology
- 3 Optimal shaped pump casing with machined axial diffuser
- 4 Aluminium cold end for light weight design
- 5 Special submerged electric motor cooled by pumped fluid
- 6 Motor bearings lubricated by the process fluid resulting in a "zero-maintenance" design

- ★ Dimensionally designed to fit interchangeably into existing similar sump installations
- ★ Immediate start / stop of the pump with minimal cool down time
- ★ Robust sealless design for extended service life
- ★ Very low noise level thanks to the submerged design



*For more details please contact your local Cryostar representative*



CRYOSTAR Automation	tel : +33 (0) 5 65 80 20 20	info@cryostar.com
CRYOSTAR Brazil	tel : +55 11 5092 5262	brazil@cryostar.com
CRYOSTAR China	tel : +86 571 8536 8331	china@cryostar.com
CRYOSTAR France	tel : +33 (0) 3 89 70 27 27	info@cryostar.com
CRYOSTAR Singapore	tel : +65 6276 7441	singapore@cryostar.com
CRYOSTAR UK	tel : +44 1709 702 777	uk@cryostar.com
CRYOSTAR USA East	tel : 1-800-483-1052	usa@cryostar.com
CRYOSTAR USA West	tel : +1 (562) 903-1290	usa@cryostar.com
CRYOSTAR USA - Houston Office	tel : +1 (713) 661-6000	usa.houston@cryostar.com



[www.cryostar.com](http://www.cryostar.com)