

# ★ High Pressure Pump

for low speed direct injection marine diesel engines

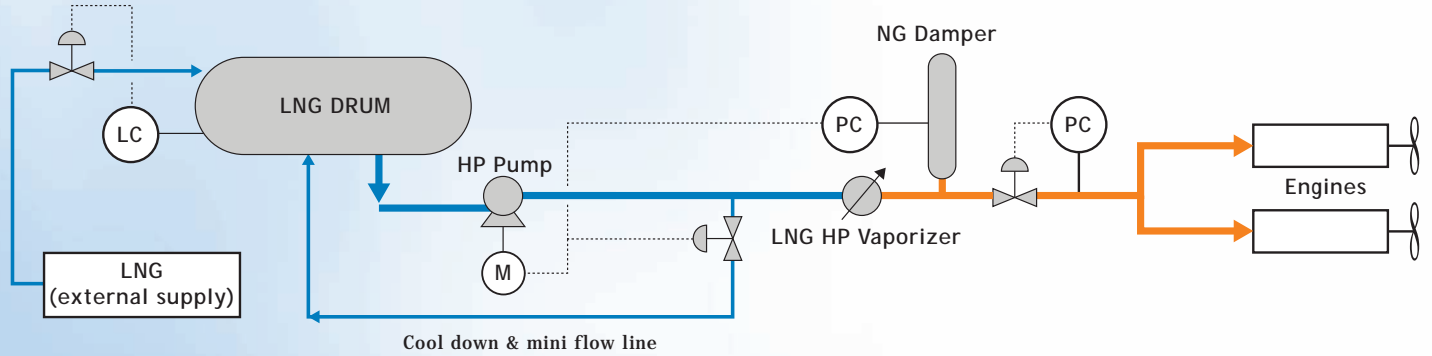
Electric motor driven reciprocating cryogenic pump to deliver up to 220 l/min of LNG per unit at a delivery pressure of 250-300 bar. Each unit is installed on a single, rigid skid, with a variable speed motor. In simplex, triplex or even quintuplex configuration depending on flow requirements.



## ★ Key Advantages of Cryostar High Pressure Pumps:

- ★ **Compact, space saving arrangement**  
Small footprint allows simple onboard integration, and access for operation and maintenance.
- ★ **Heavy duty construction**  
Provides longer running performance than traditional pumps in the industry
- ★ **Super vacuum jacketed cold ends**  
To greatly reduce heat in leak.
- ★ **Optimal suction chamber design for much lower NPSH requirements**  
Eliminating need for centrifugal booster pump.
- ★ **High efficiency splash oil lubrication system**  
Eliminating need for external oil pump.
- ★ **Long stroke**  
Giving higher flow rates at low speeds - greatly extending service life.

★ **Cryostar Fuel Gas system  
for low speed direct injection marine diesel engines**



★ **Main characteristics of the system:**

- ★ Flow control by Variable Speed Motor
- ★ Proven equipment : High Pressure Pump, High Pressure Vaporizer
- ★ Huge power saving compare with reciprocating compressor system

